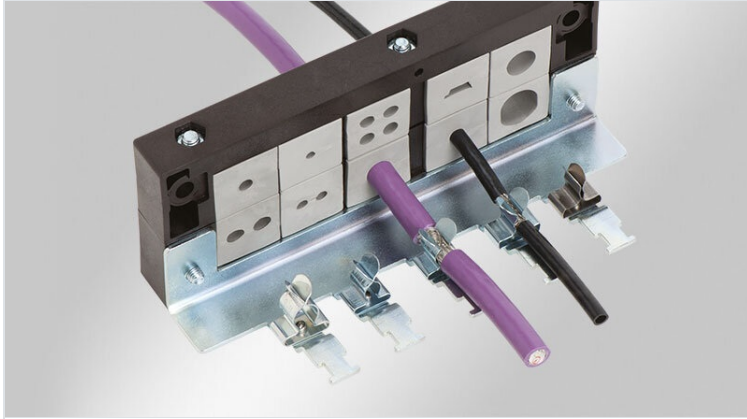


KEL-EMC | KEL-EMC-Z cable assembly

with shield earthing and integrated strain relief



Cable entry, EMC shield earthing and strain relief - all in one location!

Cables pass through the [KEL cable entry frame](#) and lead directly to cable shield earthing and strain relief. Three functions carried out quickly and easily!

KEL-EMC-Z: Custom configurations are available for shield clamps up to 16 mm in diameter with minimal order quantities and lead time.



RoHS compliant



Made in Germany



Specifications

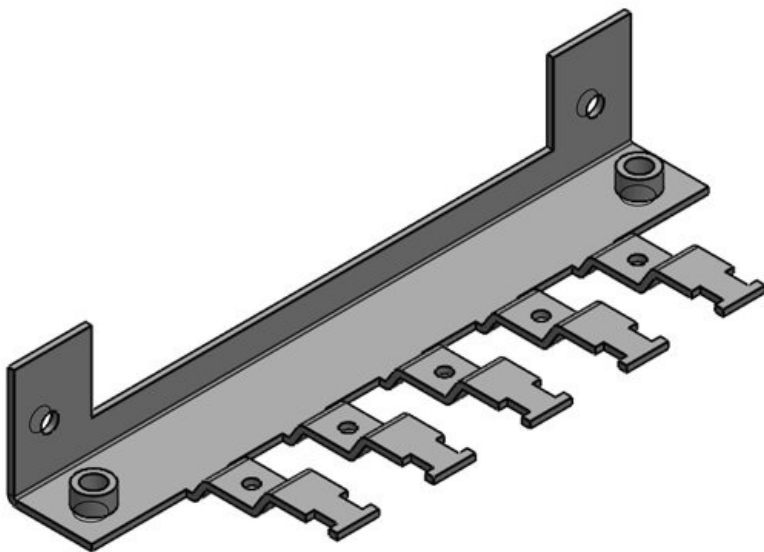
Material	Mild steel, galvanically zinc plated Stainless steel
Properties	vibration proof
Mounting options	Screw type mounting

Advantages & benefits

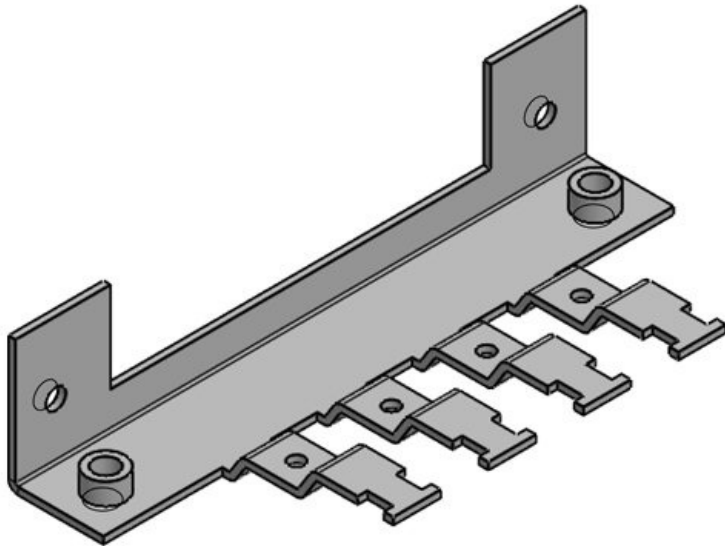
- Large surface contact between cable shield and housing, especially on conductive coated surfaces
- Easily combines cable routing, EMC and strain relief due to the use of the same mounting holes
- Available without SKL shield clamps if only additional strain relief is required
- M6 Mounting hole for earthing tape or PE connection (KEL-EMC-Z)
- Direct, easy and quick contact to the enclosure
- Space saving, usable for up to 10 cables with the two row model
- Replacement for EMC cable glands, even for pre-terminated cables

Product types & sizes

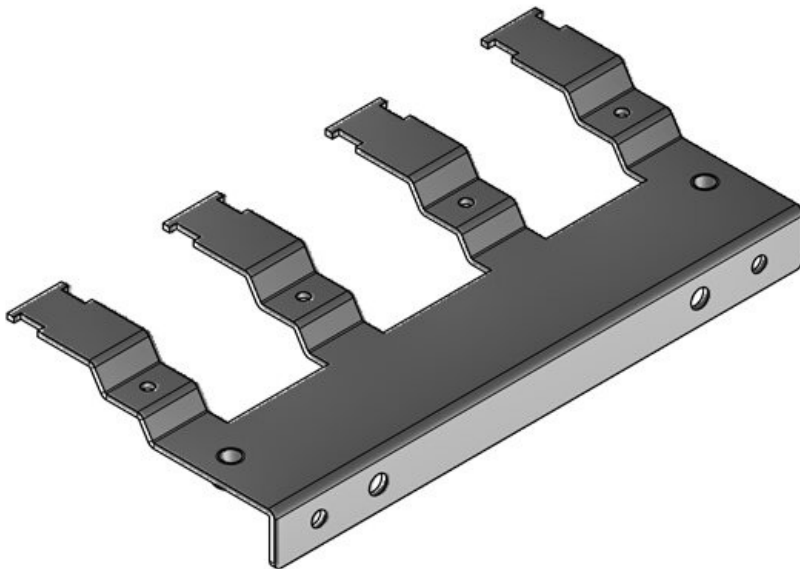
KEL-EMC-Z 24|5



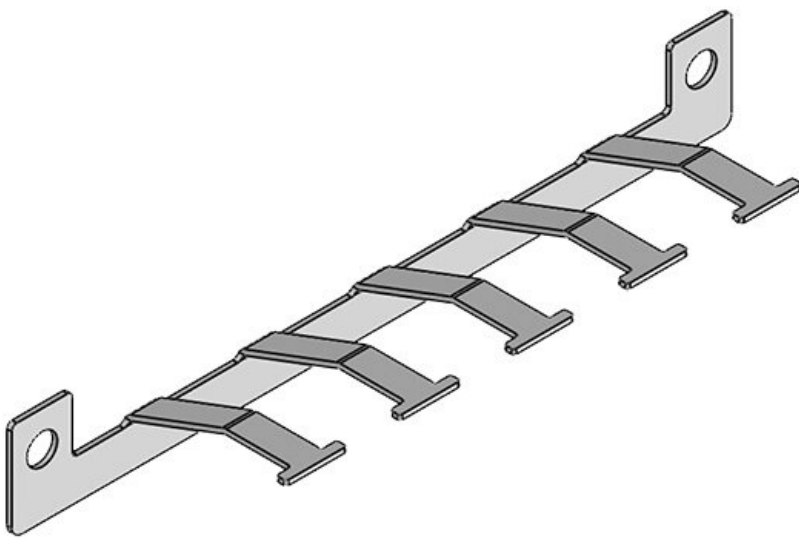
Part No.	36527	Width	56 mm
EAN	4251269303074	Height	28 mm
Package quantity	1	Mounting height	28 mm
For no. of shield clamps	5	Hole size	M5 / M6
For max. no. of cables	5	No. of screw holes	2
Length L1	147 mm	No. of teeth	5
Length L2	130 mm	Suitable for cable entry systems:	KEL-ER 24, KEL-ER-E5, KEL-U 24, KEL-FG-E5, KEL-QUICK 24, KEL-QUICK-E5, KEL-BES 24, KEL-BES-S 24, KEL-DPZ 24, KEL-DPZ-E, KEL-DPU 24



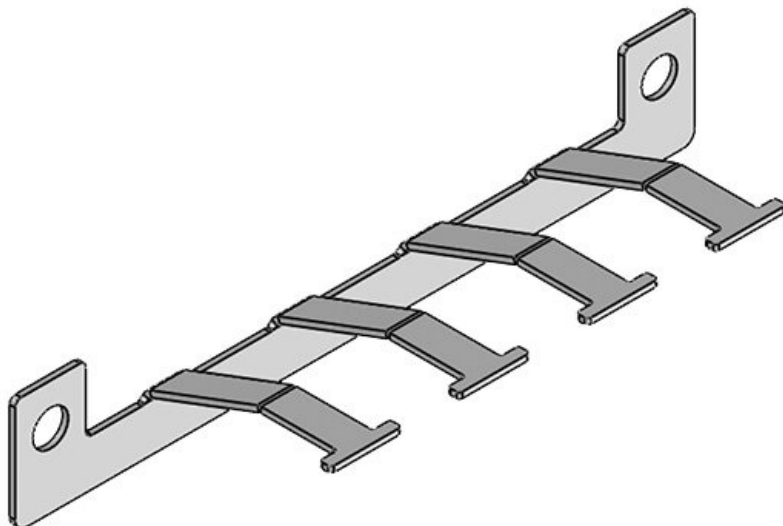
Part No.	36525	Width	56 mm
EAN	4251269303	Height	28 mm
	050	Mounting height	28 mm
Package quantity	1	Hole size	M6 / M5
For no. of shield clamps	4	No. of screw holes	2
For max. no. of cables	4	No. of teeth	4
Length L1	120 mm	Suitable for cable entry systems:	KEL-ER 16, KEL-ER-E4, KEL-U 16, KEL-QUICK 16, KEL-QUICK-E4, KEL-BES 16, KEL-BES-S 16, KEL-DPZ 16
Length L2	103 mm		



Part No.	36528	Width	79 mm
EAN	4251269331	Height	27 mm
	343	Mounting height	27 mm
Package quantity	1	Hole size	M4 / M6
For no. of shield clamps	4	No. of screw holes	2
For max. no. of cables	4	No. of teeth	4
Length L1	156 mm	Suitable for cable entry systems:	KEL 183-E, KEL 183
Length L2	140 mm		



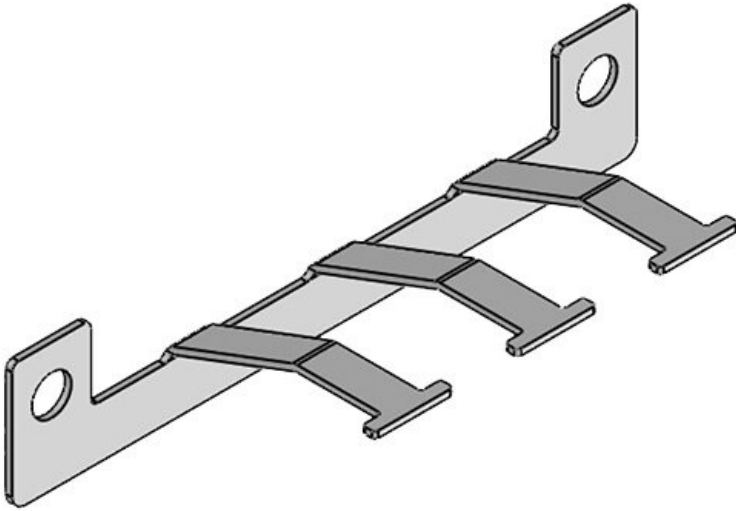
Part No.	36526	Height	19,5 mm
EAN	4251269303067	Mounting height	19,5 mm
Package quantity	5	No. of screw holes	2
For max. no. of cables	5	Diam. of screw holes	6 mm
Length L1	142 mm	No. of teeth	5
Length L2	130 mm	Suitable for cable entry systems:	KEL-ER 24, KEL-ER-E5, KEL 24, KEL-E5, KEL-U 24, KEL-FG-E5, KEL-QUICK 24, KEL-QUICK-E5, KEL-BES 24, KEL-BES-S 24, KEL-DPZ 24, KEL-DPZ-E, KEL-DPU 24
Width	35 mm		



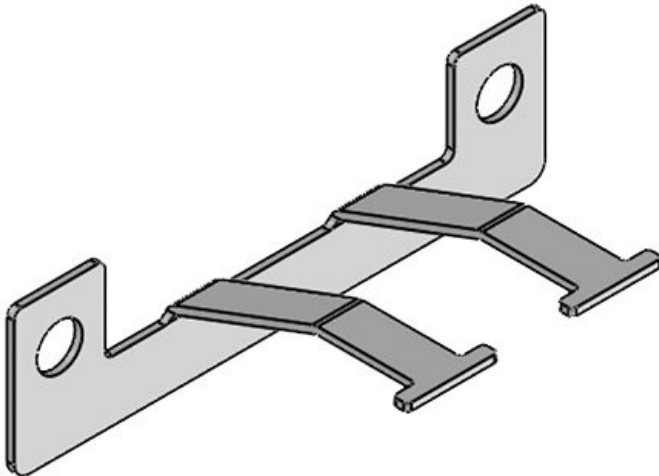
Part No.	36524	Height	19,5 mm
EAN	4251269303043	Mounting height	19,5 mm
Package quantity	5	No. of screw holes	2
For max. no. of cables	4	Diam. of screw holes	6 mm
Length L1	115 mm	No. of teeth	4
Length L2	103 mm	Suitable for cable entry systems:	KEL-ER 16, KEL-ER-E4, KEL 16, KEL-E4, KEL-U 16, KEL-QUICK 16, KEL-QUICK-E4, KEL-BES 16, KEL-BES-S 16, KEL-DPZ 16
Width	35 mm		

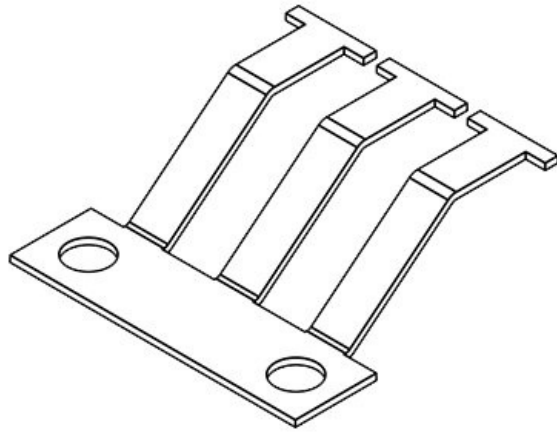
KEL-EMC 10

Part No.	36522	Height	19,5 mm
EAN	4251269303036	Mounting height	19,5 mm
Package quantity	5	No. of screw holes	2
For max. no. of cables	3	Diam. of screw holes	6 mm
Length L1	95 mm	No. of teeth	3
Length L2	83 mm	Suitable for cable entry systems:	KEL-ER 10, KEL-ER-E3, KEL 10, KEL-E3, KEL-U 10, KEL-FG-E3, KEL-QUICK 10, KEL-QUICK-E3, KEL-BES 10, KEL-BES-S 10
Width	35 mm		

**KEL-EMC-B**

Part No.	36520	Height	19,5 mm
EAN	4251269303029	Mounting height	19,5 mm
Package quantity	5	No. of screw holes	2
For max. no. of cables	2	Diam. of screw holes	6 mm
Length L1	70 mm	No. of teeth	2
Length L2	58 mm	Suitable for cable entry systems:	KEL-ER-B, KEL-ER-E2, KEL-B, KEL-E2, KEL-U-B, KEL-FG-E2, KEL-QUICK-B, KEL-QUICK-E2, KEL-DPZ-B
Width	35 mm		





Part No.	39110	Height	19,5 mm
EAN	4251269305	Mounting height	19,5 mm
Package quantity	5	No. of screw holes	2
For max. no. of cables	3	Diam. of screw holes	6 mm
Length L1	44 mm	No. of teeth	3
Length L2	32 mm	Suitable for cable entry systems:	KEL-ER
Width	35 mm		24/16/10/-B, KEL
			24/16/10/-B, KEL-U
			24/16/10/-B, KEL-QUICK
			24/16/10/-B, KEL-BES
			24/16/10, KEL-BES-S
			24/16/10, KEL-DPZ
			24/16, KEL-DPU 24